

ECN025

Through hole slip ring

This slip ring with standard inner bore size 25.4mm, CENO's through hole slip ring hole size from 3mm to 980mm are optional, the center hole can pass through the drive shaft, gas-liquid passage. It can be used in any electromechanical system that requires unrestrained, continuous rotation while transferring power or data from a stationary to a rotating structure. Various signals such as Ethernet, USB, HDMI, SDI, CANbus, Profibus and power are capable of being integrated into one slipring. Any special requirements please contact with us.

Features


- ◆ Low electric noise
- ◆ High performance
- ◆ Long lifetime
- ◆ IP grade up to IP68

Applications

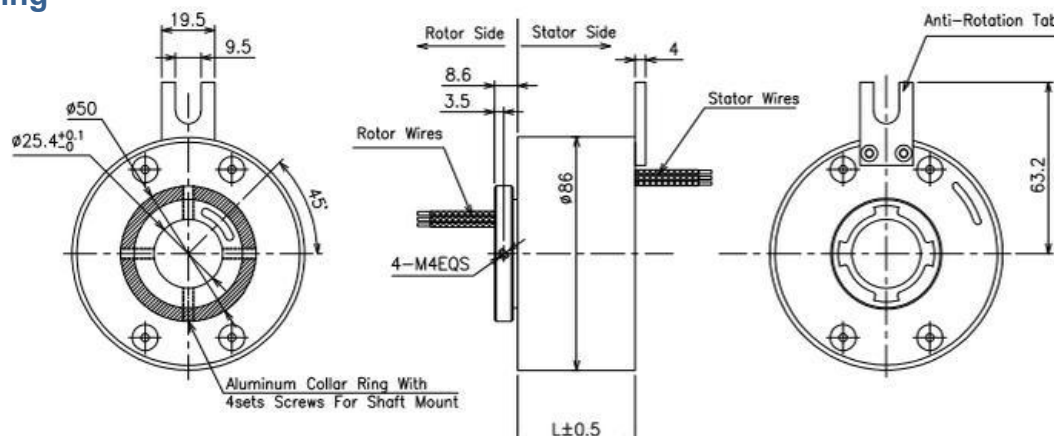
- ◆ Military industry
- ◆ Cable reels
- ◆ Robot arms
- ◆ Testing machine

Optional

- ◆ Through hole size
- ◆ Current & ring numbers
- ◆ Signal type
- ◆ IP protection grad

ECN025	Specification	Picture
Circuits number	6, 12, 18, 24 or more	
Current rating	5A, 10A, 15A	
Inner bore size	25.4mm	
Voltage	380VAC/VDC	
Electrical noise	100 milliohms max	
Operating speed	0-300 rpm or higher	
Contact material	Precious metal	
Housing material	Aluminum alloy	
IP grade	IP54	
Working temperature	-20°C ~ +60°C	

Outline Drawing



Current	Length (mm)			
	6 lines	12 lines	18 lines	n lines
5A	43.3	62.5	81.7	$25.8+n*1.5+(n-1)*1.7$
10A	47.5	70.9	94.3	$25.8+n*2.2+(n-1)*1.7$
15A/20A	52.3	80.5	108.7	$25.8+n*3+(n-1)*1.7$
25A/30A	61.3	98.5	135.7	$25.8+n*4.5+(n-1)*1.7$