

ECN060

Through hole slip ring

The ECN series electrical through hole slip ring is a rotating assembly used to transfer power & signal, control circuits or data from stationary inlets to rotating outlets. ECN060 series slip rings feature a 60mm inner bore for shaft mounting and incorporate low-wear, fiber brush contacts that do not require lubrication producing virtually no wear debris. Standard models are available from 6 to 24 circuits. CENO could offer different solutions according to your requirements.

Features


- ◆ Very low torque
- ◆ Shaft-mounted
- ◆ Compact design
- ◆ Long lifespan

Applications

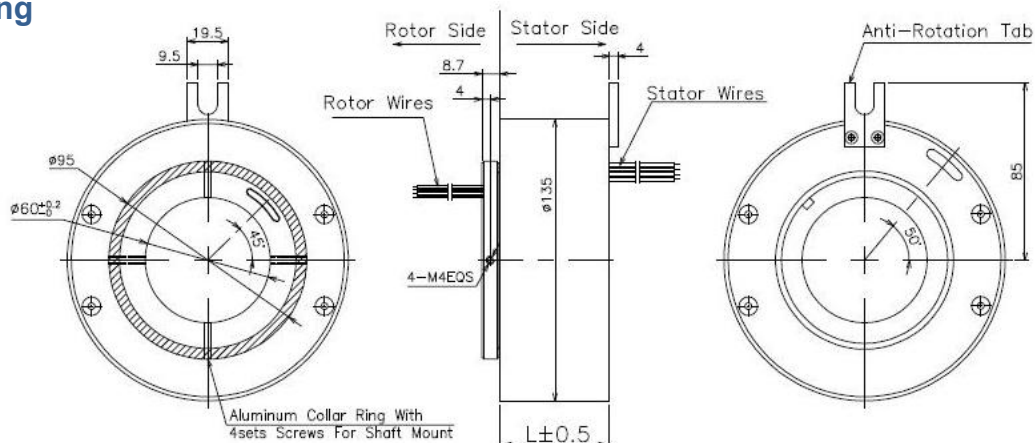
- ◆ Process control equipment
- ◆ Military industry
- ◆ Wind power system
- ◆ Medical equipment

Optional

- ◆ Through hole size
- ◆ Current & ring numbers
- ◆ Signal type
- ◆ IP protection grad

ECN060	Specification	Picture
Circuits number	6,12,18,24 or more	
Current rating	5A, 10A, 15A	
Inner bore size	60 mm	
Voltage	380VAC/VDC	
Electrical noise	100 milliohms max	
Operating speed	0-300 rpm or higher	
Contact material	Precious metal	
Housing material	Aluminum alloy	
IP grade	IP54	
Working temperature	-20°C ~ +60°C	

Outline Drawing



Current	Length (mm)			
	6 circuits	12 circuits	18circuits	n circuits
5A	52.5	70.5	88.5	$36+n*1.5+(n-1)*1.5$
10A	56.7	78.9	101.1	$36+n*2.2+(n-1)*1.5$
15A/20A	61.5	88.5	115.5	$36+n*3+(n-1)*1.5$
25A/30A	70.5	106.5	142.5	$36+n*4.5+(n-1)*1.5$