

ACN25 Capsule Slip Ring

CENO slip ring can be used in any electromechanical system which require continual rotation during power and signal transferring from stationary to rotating structure.

Small size slip ring is also called capsule slip ring due to its outline. This series slip ring has OD range from 5.5mm to 25mm are all optional. Featured with military standard gold to gold contact. The circuit number up to 80 circuits and current milliampere to 30A are available in such compact housing.

Features


- ◆ Continuous transmission of signal and/or data under 360 unrestrained rotation
- ◆ Less noise, long life
- ◆ Low torque, smooth rotation
- ◆ Electrical Noise <math>< 0.01 \Omega</math>

Applications

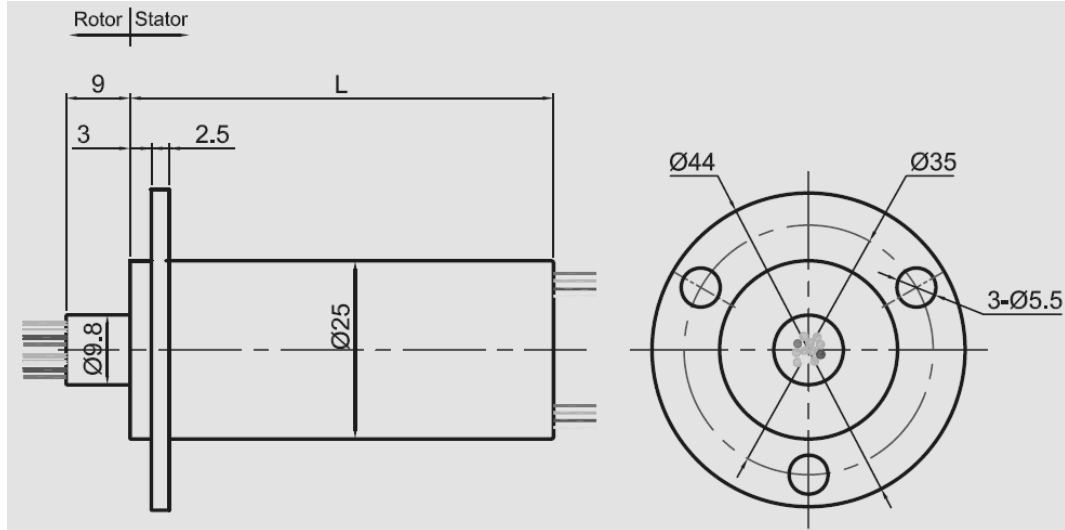
- ◆ CCTV IP-surveillance
- ◆ Automatic arm
- ◆ Medical equipment
- ◆ Rotary index table
- ◆ Production line, industry process equipment

Optional

- ◆ Ethernet cable type
- ◆ Circuit number
- ◆ Current rating
- ◆ Housing material

ACN25 Specification		Picture
Operating Speed	0-300 rpm	
Number of circuits	30,36,46,56	
Current Rating	2A/circuit	
Voltage	240 VAC/DC	
OD	$\Phi 25$ mm	
Operating Humidity	60%RH or higher	
Electrical noise	<math>< 10m \Omega</math>	
Operating temperature	-20~+80 $^{\circ}$ C	
Protection Grade	IP54	
Housing Material	Aluminum alloy	
Contact Material	Precious Metal	
Lead wire size	26#,28# silver plated copper	
Option	<ul style="list-style-type: none"> • Lead wire length • IP grade • Operating speed 	

Outline Drawing



Length

Model	Circuit number	L (mm)
ACN25-30	30	51.7
ACN25-36	36	59.5
ACN25-46	46	72.5
ACN25-56	56	85.5